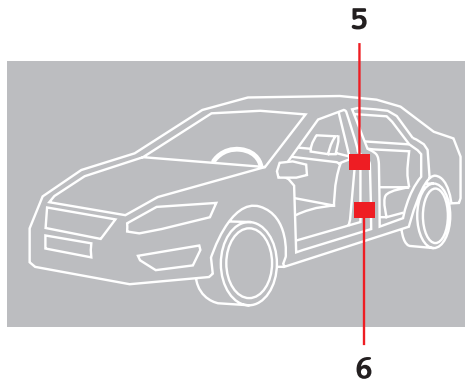
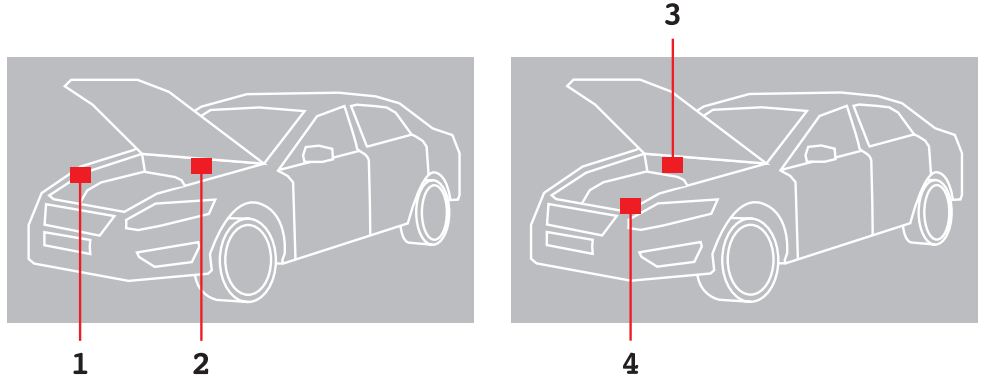




LEXUS

MODELS

- CT200H
- ES Series
- GS450H
- GS Series
- GX Series
- HS Series
- IS Series
- LS Series
- LX Series
- RX Series
- SC Series
- Sport Cross



VIN PLATE LOCATIONS

- | | |
|--------------|--------------------------|
| 1. GS Series | 4. RX Series |
| 2. IS Series | 5. SC Series, RX Series, |
| 3. LS Series | 6. GS Series, IS Series |